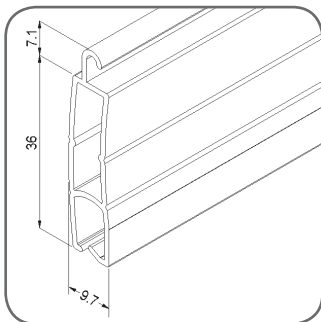


36mm Extruded Roller Shutter

(High Security Commercial)



This roller shutter range is made with a precision extruded roller shutter profile, and is suitable for many commercial and industrial grade applications.

Suitable Applications

- Commercial Windows
- Commercial Shop Fronts & Doorways
- Garage Doors
- High Security for Factories, Warehouses, Clubs, Pubs & Hotels, Restaurants, Pharmacies, Sports Complexes, Arcades, Shopping Mall Entrances, Mining & High Security Areas

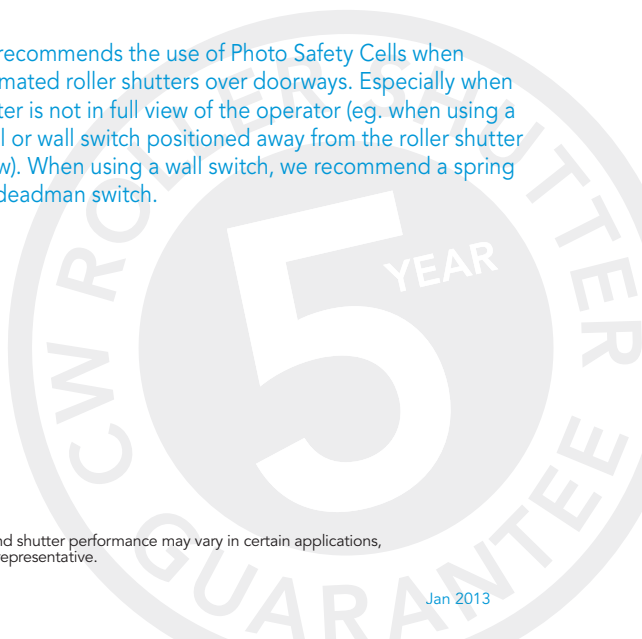
Features

- High quality, strong aluminium alloy construction.
- Commercial grade double wall extruded profile for heavy duty strength.
- High quality powder coated finish for maximum abrasion resistance.
- Double line grooved and slight curved face profile.
- Roll-tight design.
- Range of colours.
- Heavy duty steel axle with high quality internal sealed bearings.
- Suitable for widespan widths up to 5000mm.
- Can be manually operated or motorised.
- Made in Australia.

* CW Products recommends the use of Photo Safety Cells when installing automated roller shutters over doorways. Especially when the roller shutter is not in full view of the operator (eg. when using a remote control or wall switch positioned away from the roller shutter and out of view). When using a wall switch, we recommend a spring return switch/deadman switch.

Technical Specifications

Maximum Shutter Width	5000mm (with Winged Slat Locks)
Maximum Shutter Height	3000mm
Maximum Surface Area	12m ²
Number Of Slats/Metre	28
Profile Slat Covering	36mm
Profile Slat Thickness	9.7mm
Axle Types	Octagonal Steel
Bottom Bar Dimensions	55mm x 8.5mm
Guide Dimensions	68mm x 25mm/14mm (Heavy Duty Guide)
Paint Finish	High Quality Powder Coat Finish





Made To Measure Roller Shutters

Pelmet Sizes & Maximum Shutter Height

Standard Slat Locks

Pelmet Box Size	Max. No. Of Slats	Max. Shutter Height	Axle Size
150mm	27	1000mm	60mm
165mm	38	1400mm	60mm
180mm	50	1800mm	60mm
205mm	56	2020mm	70mm
230mm	72	2600mm	70mm
250mm	90	3250mm	70mm
250mm	85	3050mm	101mm with adaptor
250mm	72	2590mm	130mm with adaptor

Winged Slat Locks

150mm	25	900mm	60mm
165mm	29	1050mm	60mm
180mm	38	1350mm	60mm
205mm	46	1650mm	70mm
230mm	64	2300mm	70mm
250mm	72	2600mm	70mm
250mm	78	2800mm	101mm with adaptor
250mm	65	2350mm	130mm with adaptor

Roller Shutter Colour Options

Profiles	Pelmets/Side Frames/Guides/Bottom Bars
Cream	Cream
Clear Beige	Clear Beige
White	White
Black	Black
Anodised Silver	Powder coated options available (additional charges apply)

To place an order please complete the CW Products Made To Measure Roller Shutter Order Form available from your CW Products representative.

Control Options

Manual Options



Steel Cable Winder
(Up To 50Kg)



Spring Loaded
With Key Lock

Motorised Options



Remote Control
With SolarSmart™
Automation
12V Motor
(Up To 50Kg)



Wall Switch
With 240V
Electric Motor



Remote Control
With 240V
Electric SIMU Hz
Motor



Key Switch
With 240V
Electric Motor



Crank Handle
With 240V
Electric Manual
Override Motor



S-05 Remote Control
(Key Ring Transmitter)
With 240V
Electric Motor
& Multi-Function
S-05 Radio Receiver
& Control Unit