



## 42mm Double Line Roller Shutter

(Residential/Light Commercial)



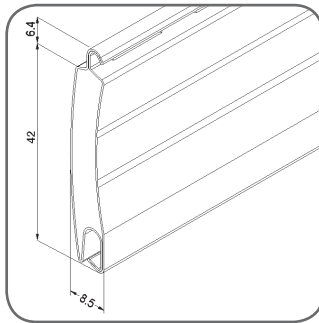
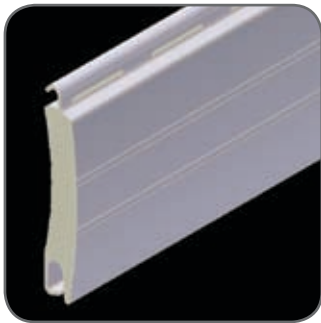
This roller shutter range is made with a precision roll formed roller shutter profile.

### Suitable Applications

- Domestic Windows
- Domestic Doorways
- Light Commercial Shop Fronts & Windows
- Counter Tops/Serveries

### Features

- High quality aluminium alloy construction.
- Foam filled profile for additional strength and silent operation.
- High quality painted finish.
- Double line grooved and curved face profile.
- Roll-tight design.
- Wide range of colours.
- Double coated + lacquer for abrasion resistant finish.
- Machine inserted profile end clips providing extra shutter strength.
- High quality internal sealed bearings.
- Suitable for widths up to 3200mm.
- Can be manually operated or motorised.
- Made in Australia.



### Technical Specifications

<b>Maximum Shutter Width</b>	3200mm
<b>Maximum Shutter Height</b>	2600mm
<b>Maximum Surface Area</b>	7m <sup>2</sup>
<b>Number Of Slats/Metre</b>	24
<b>Profile Slat Covering</b>	42mm
<b>Profile Slat Thickness</b>	8.5mm
<b>Axle Types</b>	Octagonal Aluminium or Steel
<b>Bottom Bar Dimensions</b>	55mm x 8.5mm
<b>Guide Dimensions</b>	53mm x 22mm
<b>Paint Finish</b>	Polyurethane/Polyamide (PU/PA)
<b>Inner Profile Foam Type</b>	Poly Urethane (CFC Free)

General Note: All dimensions and colours are indicative only and may change without notice. Profile technical specifications and shutter performance may vary in certain applications, eg. wide applications with no solid structure behind the roller shutter. For more information please contact your CW Products representative.





# Made To Measure Roller Shutters

## Pelmet Sizes & Maximum Shutter Height

Pelmet Box Size	Max. No. Of Slats	Max. Shutter Height	Axle Size
150mm	31	1300mm	60mm
165mm	41	1700mm	60mm
180mm	52	2200mm	60mm
205mm	67	2850mm	60mm
230mm	93	3900mm	60mm

## Roller Shutter Colour Options

Profiles	Pelmets/Side Frames/Guides/Bottom Bars
Cream	Cream
Magnolia Cream	Clear Beige
Clear Beige	White
White	Brown
Grey	Black
Brown	Powder coated options available (additional charges apply)
Beige	
Green	
Red	
Bronze	
Black	
Charcoal	
Silver	
Deep Ocean	

## Control Options

### Manual Options



Strap Winder  
(Up To 20Kg)



Cord Winder  
(Up To 20Kg)



Steel Cable Winder  
(Up To 50Kg)



Strap Coiler  
(Up To 20Kg)



Cord Coiler  
(Up To 20Kg)



Spring Loaded  
With Key Lock

### Motorised Options



Remote Control  
With SolarSmart™  
Automation  
12V Motor



Wall Switch  
With 240V  
Electric Motor



Remote Control  
With 240V  
Electric SIMU Hz  
Motor



Key Switch  
With 240V  
Electric Motor



Crank Handle  
With 240V  
Electric Manual  
Override Motor

To place an order please complete the **CW Products Made To Measure Roller Shutter Order Form** available from your CW Products representative.