



50mm Extruded Vision Roller Shutter

(Commercial)



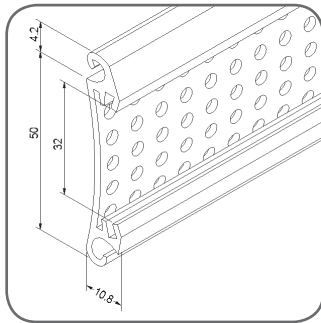
This roller shutter range is made with a precision extruded roller shutter profile, with approximately 20% vision and ventilation perforations, and is suitable for many commercial and industrial grade applications.

Suitable Applications

- Commercial Windows
- Commercial Shop Fronts & Doorways
- Garage Doors
- Security for Factories, Warehouses, Clubs, Pubs & Hotels, Restaurants, Pharmacies, Sports Complexes, Arcades, Shopping Mall Entrances & Shopping Centre Grilles

Features

- High quality, strong aluminium alloy construction.
- Commercial grade single wall extruded profile for heavy duty strength.
- Vision and ventilation perforations for airflow and light.
- High quality powder coated finish for maximum abrasion resistance.
- Perforated and curved face profile.
- Roll-tight design.
- Range of colours.
- Heavy duty steel axle with high quality internal sealed bearings.
- Suitable for widespan widths up to 4000mm.
- Can be manually operated or motorised.
- Made in Australia.



Technical Specifications

Maximum Shutter Width	4000mm
Maximum Shutter Height	3000mm
Maximum Surface Area	9m ²
Number Of Slats/Metre	20
Profile Slat Covering	50mm
Profile Slat Thickness	10.8mm
Axle Types	Octagonal Steel
Bottom Bar Dimensions	67mm x 10mm
Guide Dimensions	68mm x 25mm/18mm
Paint Finish	High Quality Powder Coat Finish

* CW Products recommends the use of Photo Safety Cells when installing automated roller shutters over doorways. Especially when the roller shutter is not in full view of the operator (eg. when using a remote control or wall switch positioned away from the roller shutter and out of view). When using a wall switch, we recommend a spring return switch/deadman switch.



Made To Measure Roller Shutters

Pelmet Sizes & Maximum Shutter Height

Pelmet Box Size	Max. No. Of Slats	Max. Shutter Height	Axle Size
180mm	33	1750mm	70mm
205mm	44	2350mm	70mm
230mm	56	2950mm	70mm
250mm	70	3700mm	70mm
250mm	64	3350mm	101mm with adaptor
250mm	55	2900mm	130mm with adaptor

Roller Shutter Colour Options

Profiles	Pelmets/Side Frames/Guides/Bottom Bars
Cream	Cream
Clear Beige	Clear Beige
White	White
Anodised Silver	Black
	Powder coated options available (additional charges apply)

Control Options

Manual Options



Steel Cable Winder
(Up To 50Kg)



Spring Loaded
With Key Lock

Motorised Options



Remote Control
With SolarSmart™
Automation
12V Motor
(Up To 50Kg)



Wall Switch
With 240V
Electric Motor



Remote Control
With 240V
Electric SIMU Hz
Motor



Key Switch
With 240V
Electric Motor



Crank Handle
With 240V
Electric Manual
Override Motor



S-05 Remote Control
(Key Ring Transmitter)
With 240V
Electric Motor
& Multi-Function
S-05 Radio Receiver
& Control Unit

To place an order please complete the **CW Products Made To Measure Roller Shutter Order Form** available from your CW Products representative.