



55mm Widespan Roller Shutter

(Widespan Residential/Light Commercial)



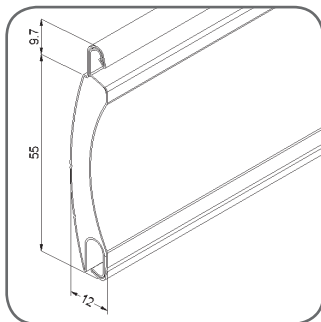
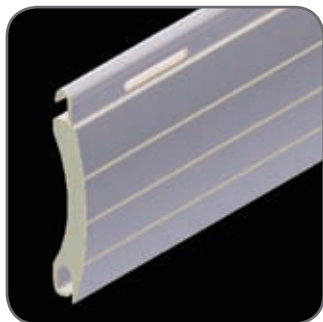
This roller shutter range is made with a precision roll formed roller shutter profile, and is suitable for many widespan applications.

Suitable Applications

- Domestic Windows
- Domestic Doorways
- Garage Doors
- Light Commercial Shop Fronts & Windows
- Counter Tops/Serveries
- Entry Level Security for Factories, Warehouses, Clubs, Pubs & Hotels, Restaurants, Pharmacies & Sports Complexes

Features

- High quality aluminium alloy construction.
- Foam filled profile for additional strength, security and silent operation.
- High quality painted finish.
- Smooth and curved face profile.
- Roll-tight design.
- Range of colours.
- Double coated + lacquer for abrasion resistant finish.
- Heavy duty steel axle with high quality internal sealed bearings.
- Suitable for widespan widths up to 4000mm.
- Can be manually operated or motorised.
- Made in Australia.



Technical Specifications

Maximum Shutter Width	4000mm
Maximum Shutter Height	3000mm
Maximum Surface Area	10m ²
Number Of Slats/Metre	18
Profile Slat Covering	55mm
Profile Slat Thickness	12mm
Axle Types	Octagonal Steel
Bottom Bar Dimensions	55mm x 8.5mm
Guide Dimensions	68mm x 25mm/18mm
Paint Finish	Polyurethane/Polyamide (PU/PA)
Inner Profile Foam Type	Poly Urethane (CFC Free)

* CW Products recommends the use of Photo Safety Cells when installing automated roller shutters over doorways. Especially when the roller shutter is not in full view of the operator (eg. when using a remote control or wall switch positioned away from the roller shutter and out of view). When using a wall switch, we recommend a spring return switch/deadman switch.



Made To Measure Roller Shutters

Pelmet Sizes & Maximum Shutter Height

Pelmet Box Size	Max. No. Of Slats	Max. Shutter Height	Axle Size
150mm	17	1000mm	60mm
165mm	24	1400mm	60mm
180mm	32	1850mm	60mm
205mm	42	2400mm	60mm
230mm	55	3100mm	70mm
230mm	49	2800mm	101mm with adaptor
250mm	65	3650mm	101mm with adaptor
250mm	56	3150mm	130mm with adaptor

Roller Shutter Colour Options

Profiles	Pelmets/Side Frames/Guides/Bottom Bars
Cream	Cream
Clear Beige	Clear Beige
White	White
	Brown
	Black
	Powder coated options available (additional charges apply)

Control Options

Manual Options



Steel Cable Winder (Up To 50Kg)



Spring Loaded With Key Lock

Motorised Options



Remote Control With SolarSmart™ Automation 12V Motor



Wall Switch With 240V Electric Motor



Remote Control With 240V Electric SIMU Hz Motor



Key Switch With 240V Electric Motor



Crank Handle With 240V Electric Manual Override Motor



S-05 Remote Control (Key Ring Transmitter) With 240V Electric Motor & Multi-Function S-05 Radio Receiver & Control Unit

To place an order please complete the **CW Products Made To Measure Roller Shutter Order Form** available from your CW Products representative.