



FireSafe™ Bushfire Rated Roller Shutter

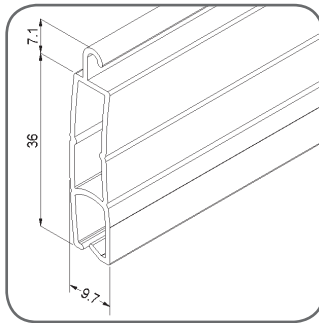
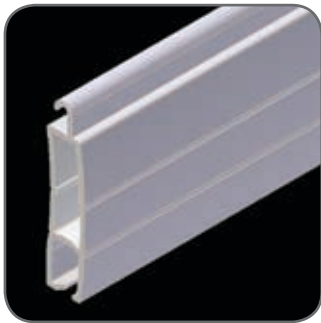
Protects Property And Families!



This roller shutter is ideal for home and business owners who want to protect their property and families from bushfires, because they live in high risk, bushfire prone or wooded, high vegetation, country and semi-rural locations. It is made with a precision extruded roller shutter profile.

Suitable Applications

- Domestic & Commercial Windows
- Domestic & Commercial Doorways
- Commercial Shop Fronts
- Garage Doors
- High Security & Fire Protection for Factories, Warehouses, Clubs, Pubs & Hotels, Restaurants, Pharmacies, Sports Complexes, Arcades, Shopping Mall Entrances, Mining & High Security Areas



Features

- Bushfire rated to Bushfire Attack Level (BAL) A40.
- Tested by CSIRO (Report# FSZ1379).
- Complies with Australian Bushfire Construction Standard AS3959-2009 (Clauses 3.7 & 8.5.1).
- Radiant heat shielding properties to 40 kW/m².
- High quality, strong aluminium alloy construction.
- Commercial grade double wall extruded profile for heavy duty strength & extreme heat protection.
- High quality powder coated finish for maximum abrasion resistance.
- Double line grooved and slight curved face profile.
- Roll-tight design.
- Range of colours.
- Heavy duty steel axle with high quality internal sealed bearings.
- Suitable for widespan widths up to 4000mm.
- Can be manually operated or motorised (Manual with steel cable up to 5m²).
- Made in Australia.

Technical Specifications

Bushfire Attack Level Rating	BAL A40
Maximum Shutter Width	4000mm
Maximum Shutter Height	3200mm
Maximum Surface Area	12m ²
Number Of Slats/Metre	28
Profile Slat Covering	36mm
Profile Slat Thickness	9.7mm
Axle Types	Octagonal Steel
Bottom Bar Dimensions	55mm x 8.5mm
Guide Dimensions	68mm x 25mm/14mm (Heavy Duty Guide)
Paint Finish	High Quality Powder Coat Finish

General Note: All dimensions and colours are indicative only and may change without notice. Profile technical specifications and shutter performance may vary in certain applications, eg. wide applications with no solid structure behind the roller shutter. For more information please contact your CW Products representative.



Made To Measure Roller Shutters

Pelmet Sizes & Maximum Shutter Height

Pelmet Box Size	Max. No. Of Slats	Max. Shutter Height	Axle Size
150mm	27	1000mm	60mm
165mm	38	1400mm	60mm
180mm	50	1800mm	60mm
205mm	56	2020mm	70mm
230mm	72	2600mm	70mm
250mm	90	3250mm	70mm
250mm	85	3050mm	101mm with adaptor
250mm	72	2590mm	130mm with adaptor

Roller Shutter Colour Options

Profiles	Pelmets/Side Frames/Guides/Bottom Bars
Cream	Cream
Clear Beige	Clear Beige
White	White
Black	Black
Anodised Silver	Powder coated options available (additional charges apply)

Control Options

Manual Options



Steel Cable Winder
(Up To 50Kg)

Motorised Options



Wall Switch
With 240V
Electric Manual
Override Motor



Remote Control
With 240V
Electric SIMU Hz
Manual Override
Motor



Crank Handle
With 240V
Electric Manual
Override Motor

* CW Products recommends that FireSafe Bushfire Rated Roller Shutters shall: a) be fixed to the building and be non-removable; b) when in the closed position, have no gap greater than 3mm between the shutter and the wall, the sill or the head; c) be readily manually operable from either inside or outside; d) protect the entire window assembly or door assembly; e) consist of materials specified in Clauses 5.5.1, 6.5.1, 7.5.1, 8.5.1 and 9.5.1 for the relevant BAL.

To place an order please complete the **CW Products Made To Measure Roller Shutter Order Form** available from your CW Products representative.