



CycloneSafe™ Roller Shutter

Protects Property And Families!



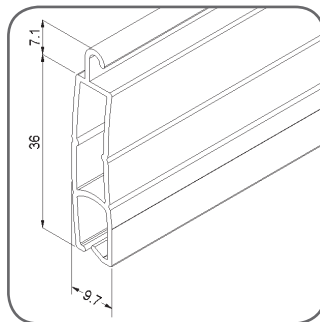
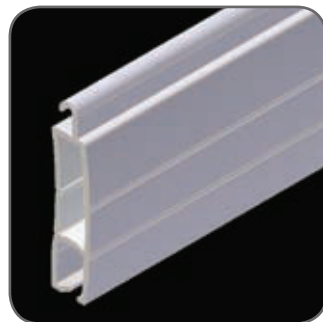
This roller shutter is ideal for home and business owners who want to protect their property and families from cyclones, tropical storms and extreme wind coastal weather conditions. It is made with a precision extruded roller shutter profile.

Suitable Applications

- Domestic & Commercial Windows.
- Domestic & Commercial Doorways.
- Commercial Shop Fronts.
- High Security & Storm Protection for Factories, Warehouses, Mining Sites & Camps, Clubs, Pubs & Hotels, Restaurants, Pharmacies, Sports Complexes, Arcades, Shopping Mall Entrances & High Security Areas.

Features

- Cyclone rated up to C4 T5.
- Tested by James Cook University.
- Complies with AS/NZS 1170.2 2011 Cyclone Standard.
- Cyclic loading in accordance with AS 4040.3.
- Fatigue Loading Sequence and design pressure tested in accordance with AS 4055.
- Can be used in all Australian cyclone regions including Cyclone Region C & D C4 at 1500mm wide.
- High quality, strong aluminium alloy construction.
- Commercial grade double wall extruded profile for heavy duty strength & extreme wind protection.
- Double line grooved and slight curved face profile.
- Roll-tight design.
- Range of colours.
- High quality powder coated finish for maximum abrasion resistance.
- Heavy duty steel axle with high quality internal sealed bearings.
- Suitable for widths up to 2400mm.
- Can be manually operated or motorised (Manual with steel cable up to 5m²).
- Compatible with SolarSmart™ Roller Shutter Automation.
- Made in Australia.



Technical Specifications

Cyclone Rating	Up To C4 T5
Maximum Shutter Width	Up To 2400mm
Maximum Shutter Height	Up To 2600mm
Maximum Surface Area	6m ²
Number Of Slats/Metre	28
Profile Slat Covering	36mm
Profile Slat Thickness	9.7mm
Axle Types	Octagonal Steel
Bottom Bar Dimensions	55mm x 8.5mm
Guide Dimensions	68mm x 22mm (Heavy Duty Cyclone Guide)
Paint Finish	High Quality Powder Coat Finish

General Note: All dimensions and colours are indicative only and may change without notice. Profile technical specifications and shutter performance may vary in certain applications, eg. wide applications with no solid structure behind the roller shutter. For more information please contact your CW Products representative.



Made To Measure Roller Shutters

Pelmet Sizes & Maximum Shutter Height

Winged Slat Locks

Pelmet Box Size	Max. No. Of Slats	Max. Shutter Height	Axle Size
150mm	25	900mm	60mm
165mm	29	1050mm	60mm
180mm	38	1350mm	60mm
205mm	46	1650mm	70mm
230mm	64	2300mm	70mm
250mm	72	2600mm	70mm

Roller Shutter Colour Options

Profiles	Pelmets/Side Frames/Guides/Bottom Bars
Cream	Cream
Clear Beige	Clear Beige
White	White
Black	Black
Anodised Silver	Powder coated options available (additional charges apply)

Roller Shutter Widths & Cyclone Ratings

Shutter Width	Load Test Type	Test Pressure	Cyclone Rating
2400mm	Inward Loading	3.34 kPa	C2
2400mm	Outward Loading	5.49 kPa	C3
2200mm	Inward Loading	3.34 kPa	C2
2000mm	Inward Loading	4.93 kPa	C3
1500mm	Inward Loading	6.66 kPa	C4
1500mm	Outward Loading	7.40 kPa	C4

To place an order please complete the **CW Products Made To Measure Roller Shutter Order Form** available from your CW Products representative.

Control Options

Manual Options



Steel Cable Winder
(Up To 50Kg)



Spring Loaded
With Key Lock

Motorised Options



Remote Control
With SolarSmart™
Automation
12V Motor
(Up To 50Kg)



Wall Switch
With 240V
Electric Motor



Remote Control
With 240V
Electric SIMU Hz
Motor



Key Switch
With 240V
Electric Motor



Crank Handle
With 240V
Electric Manual
Override Motor



S-05 Remote Control
(Key Ring Transmitter)
With 240V
Electric Motor
& Multi-Function
S-05 Radio Receiver
& Control Unit